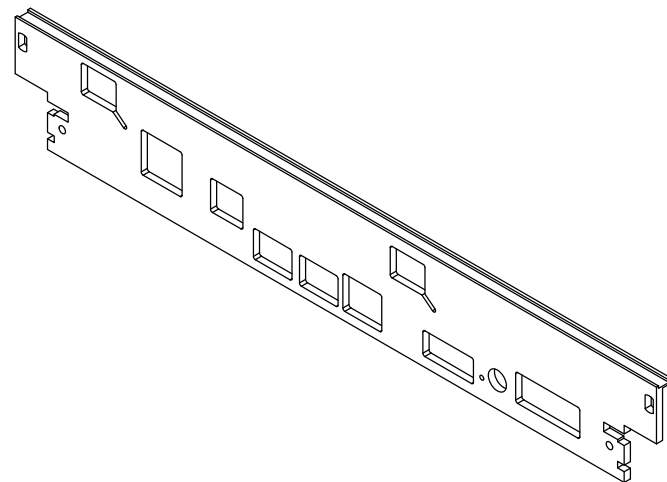
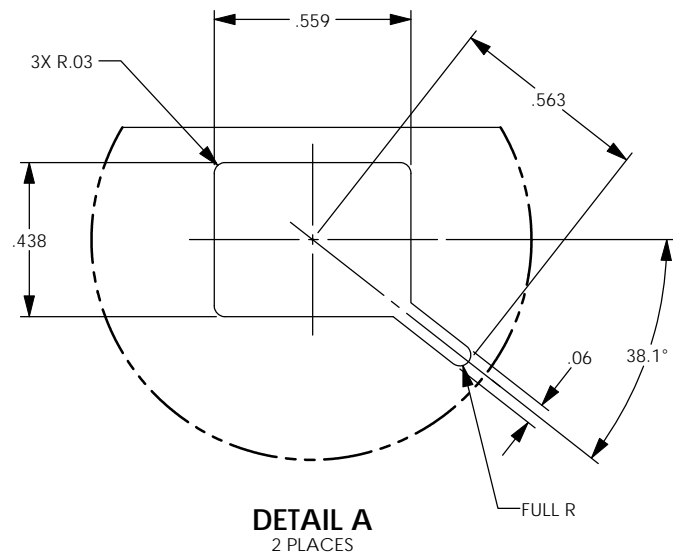
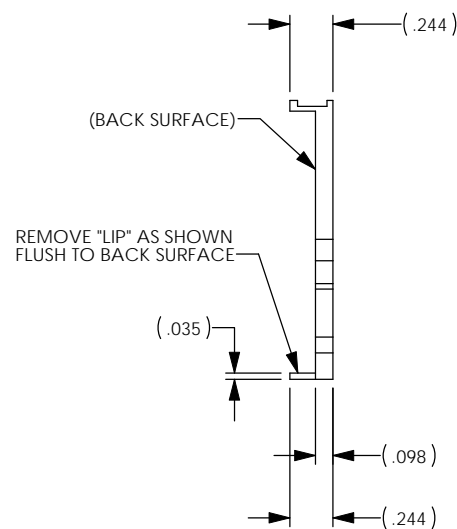
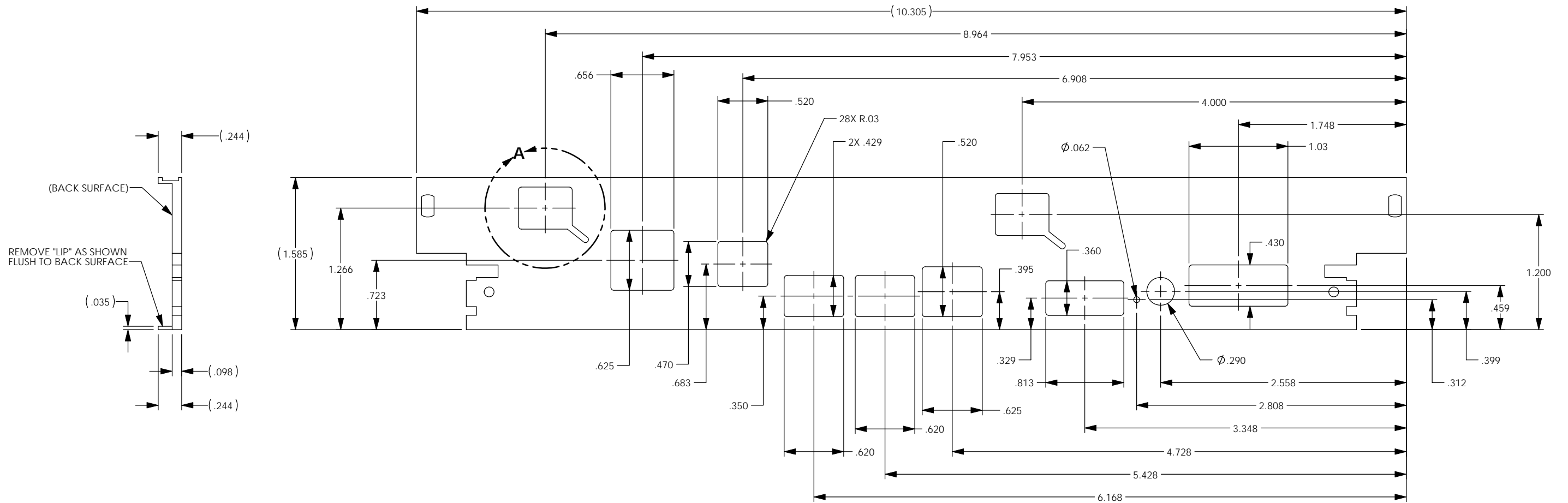


NOTES (UNLESS OTHERWISE SPECIFIED)

- 104 ABBREVIATIONS PER ASME Y14.38-1999.
- 200 DIMENSIONING AND TOLERANCING PER ASME Y14.5M-1994.
- 212 SURFACE TEXTURE SYMBOLS IN ACCORDANCE WITH ASME Y14.36M-1996.
- 213 SURFACE TEXTURE IN ACCORDANCE WITH ASME B46.1-1995.
- 233 REMOVE BURRS AND SHARP EDGES TO .015 MAX.
- 237 ALL INSIDE CORNERS TO BE R.031 MAX.
- 500 THOROUGHLY CLEAN PARTS TO REMOVE ALL OIL, GREASE, DIRT, CHIPS, ETC.

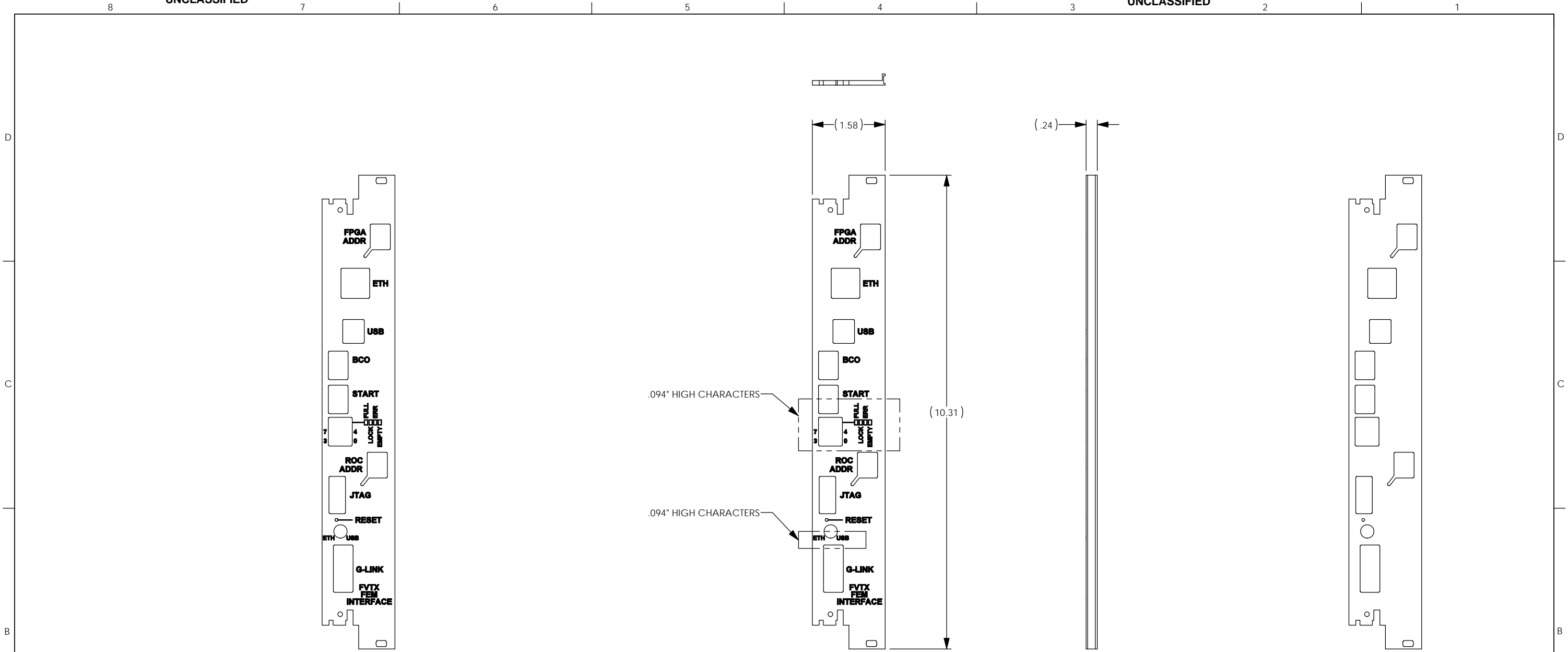
REVISIONS						
ZONE	REV	DESCRIPTION	CHANGED BY	DATE	CLASS REVIEW	APPROVED
	A	INITIAL RELEASE (SEE TITLE BLOCK)				
	B	UPDATED SIZE OF CUTOUTS	D. BACA	03/04/10		M.PROKOP
	C	UPDATED CUTOUTS BASED ON TEST PANEL.	D. BACA	03/15/10		M.PROKOP
	D	UPDATED CUTOUTS PER ENGINEERS REQUEST.	D. BACA	08/17/10		M. PROKOP



WEIGHT: .123 LB, DENSITY: .097 LB/IN^3

SOLIDWORKS DWG TEMPLATE: SW ESA 020214-2 DRAWING: 164Y1714320_rev D_FEM_Interface_Front_Panel.SLDDRW, MODEL: 164Y1714320_rev D_FEM_Interface_Front_Panel.SLDPRT

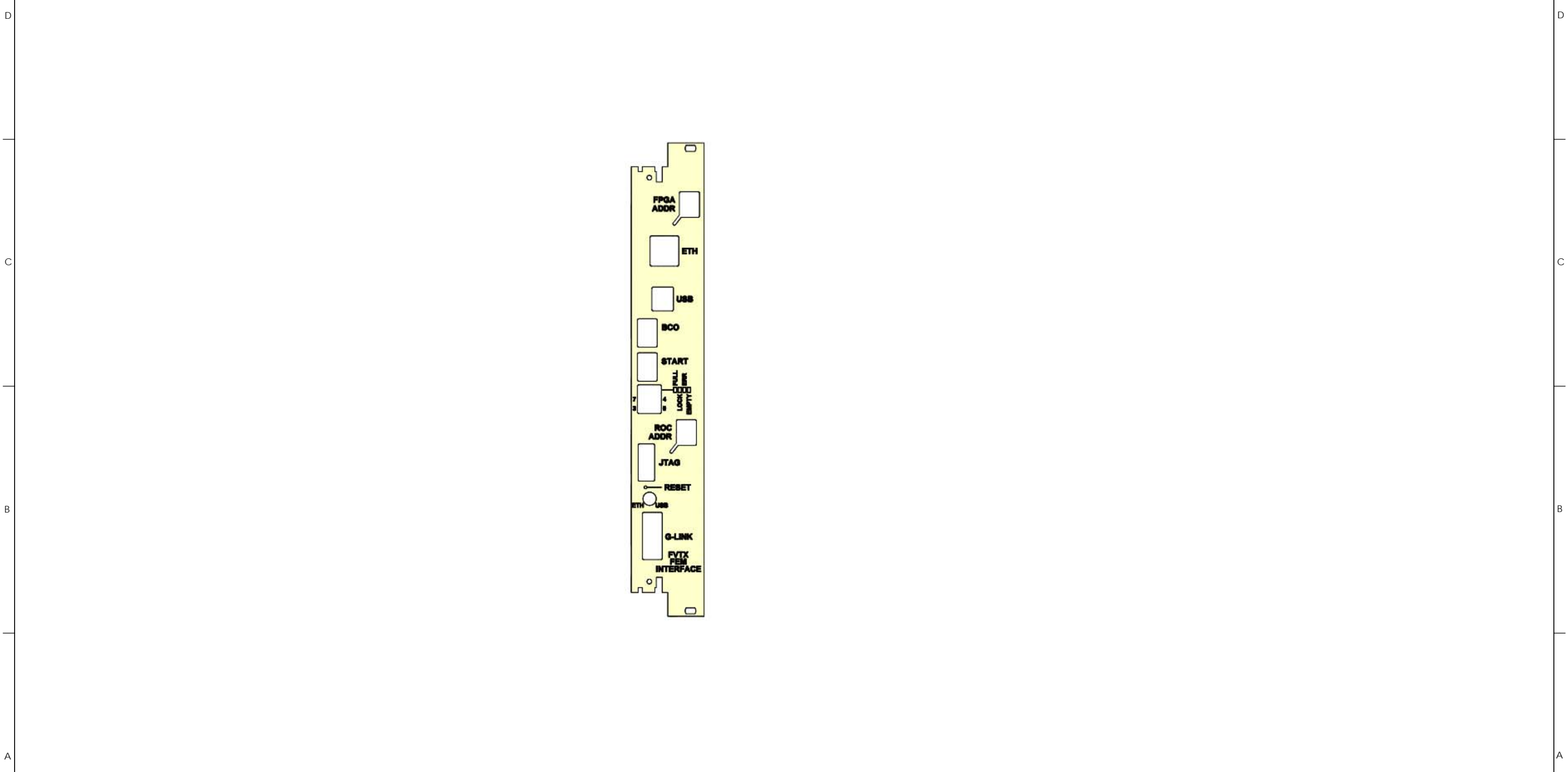
QTY	PART OR IDENTIFYING NO.	NOMENCLATURE OR DESCRIPTION	ALUMINUM	MATERIAL SPECIFICATION	ITEM NO
PARTS LIST/ BILL OF MATERIAL					
CONFIRMED TO BE UNCLASSIFIED			DRAWING LEVEL: PRODUCT		
CLASSIFIER: DATE: DERIVED FROM: LA4000 REV 8 ORG: LA DRAWING: UNC PART: UNC			TASK CONTRACTOR		
UNLESS OTHERWISE SPECIFIED, DIMENSIONS ARE IN INCHES TOLERANCES ARE:			A FILLED IN DATE INDICATES THAT THE APPROVAL SIGNATURE HAS BEEN OBTAINED FROM THAT PERSON. NR-NOT REQUIRED		
.X = ±			INITIAL RELEASE APPROVALS		
.XX = ± .01			DESIGNED	D. BACA	AOT-RFE 03/03/10
.XXX = ± .005			DRAWN	D. BACA	AOT-RFE 03/03/10
ANGULAR = ± 1°			CHECKED	M.STOFFER	AOT-RFE 03/03/10
MACHINED FINISH = 63/			ENGINEERING	M.PROKOP	AOT-RFE 03/03/10
NEXT ASSEMBLY			USED ON		
APPLICATION			APPROVED		
SCALE NONE			DO NOT SCALE DRAWING		
SIZE D			CAGE CODE 88516	DRAWING NUMBER 164Y1714320	REV D
SHEET 1 OF 3					




(PANEL SHOWN WITH NO SILKSCREEN)

**PAINT PANEL OFF-WHITE SEMIGLOSS.
 SILKSCREEN PANEL AS SHOWN USING ARIAL BOLD TYPE FONT, COLOR: BLACK.
 CHARACTERS ARE .094 INCH AND .125 INCH HIGH.**

CONFIRMED TO BE UNCLASSIFIED		AOT-RFE <small>ACCELERATOR OPERATIONS TECHNOLOGY NATIONAL LABORATORY RADIO FREQUENCY ENGINEERING GROUP</small>	
SIZE D	CAGE CODE 88516	DRAWING NUMBER 164Y1714320 D	REV 1
SCALE 1:1		DO NOT SCALE DRAWING	SHEET 2 OF 3



CONFIRMED TO BE UNCLASSIFIED		 AOT-RFE <small>ACCELERATOR OPERATIONS TECHNOLOGY RADIO FREQUENCY ENGINEERING GROUP</small>	
SIZE D	CAGE CODE 88516	DRAWING NUMBER 164Y1714320 D	REV 1
SCALE 1:1		DO NOT SCALE DRAWING	SHEET 3 OF 3